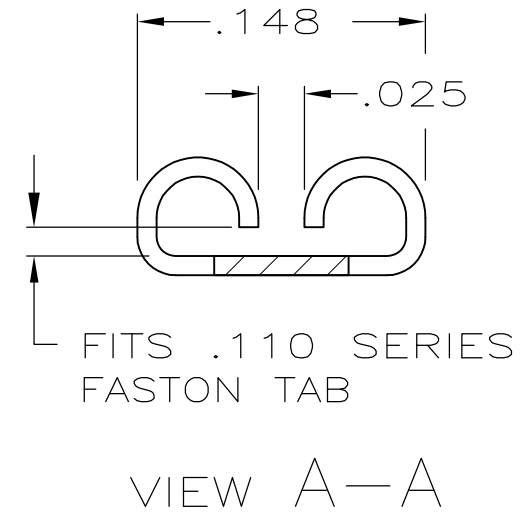
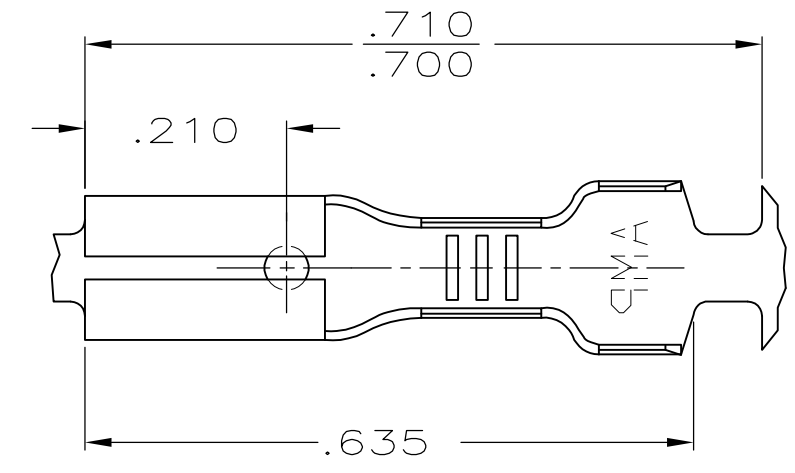


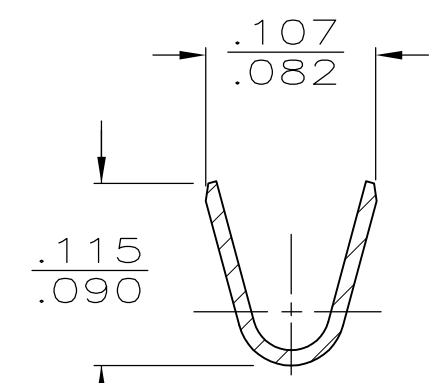
THIS DRAWING IS UNPUBLISHED. RELEASED FOR PUBLICATION  
 © COPYRIGHT - By - ALL RIGHTS RESERVED.

LOC	DIST	REVISIONS			
P	LTR	DESCRIPTION	DATE	DWN	APVD
AF	50	AS1	REVISED PER ECR-14-004075	24MAR2014	NK RL

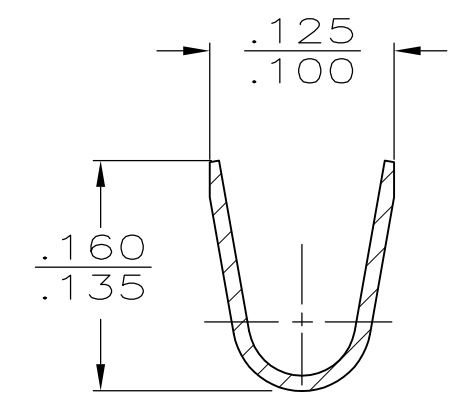
- 1 CONTINUOUS STRIP ON REELS.
- 2 PART TO BE PUT ON PLASTIC REELS.
- 3 FINISH LEAD-FREE, MATTE TIN OVER NICKEL



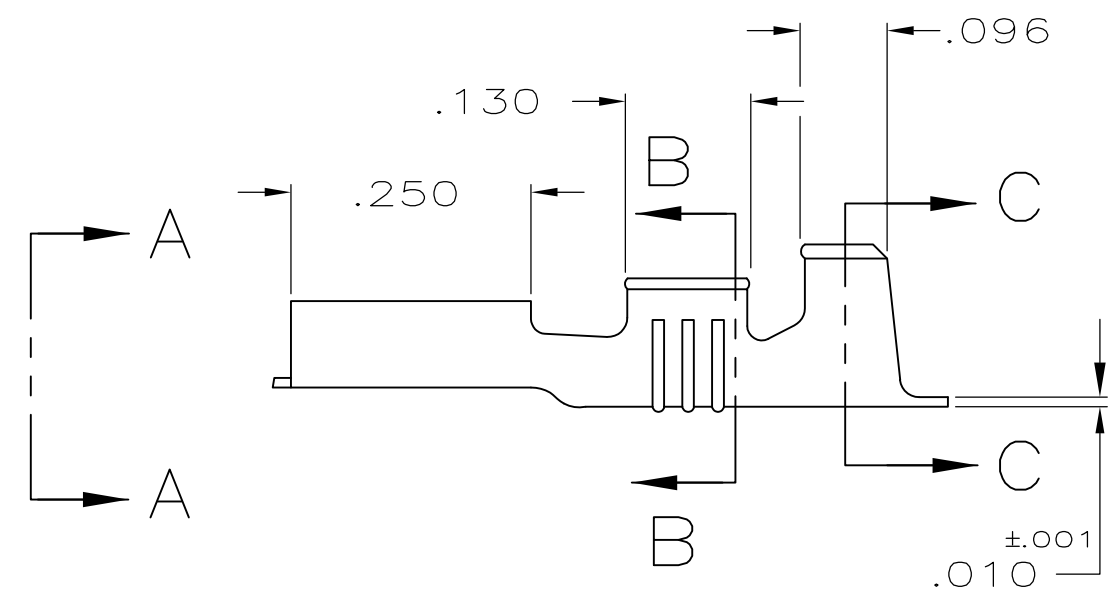
FITS .110 SERIES FASTON TAB



SECTION B-B



SECTION C-C



OBSOLETE	3	BRASS	.060-.100	22-18	.016	60118-5
	PRE-TIN	BRASS				60118-4/2
	SILVER	#4H PHOS BRZ				<del>60118-2</del>
	PRE-TIN	BRASS				60118-1
	FINISH	MATERIAL				INSUL RANGE

THIS DRAWING IS A CONTROLLED DOCUMENT.		DWN JR RUTH 6/23/87	TE Connectivity			
DIMENSIONS: INCHES		CHK G YETTER 6/23/87				
TOLERANCES UNLESS OTHERWISE SPECIFIED:		APVD C MEYERS 6/23/87	NAME RECEPTACLE, FASTON,™ .110 SERIES			
0 PLC ± - 1 PLC ± - 2 PLC ± - 3 PLC ± .015 4 PLC ± - ANGLES ± -		PRODUCT SPEC -	APPLICATION SPEC -		RESTRICTED TO -	
MATERIAL SEE TABLE		FINISH SEE TABLE	WEIGHT -	SIZE A3	CAGE CODE 00779	DRAWING NO C-60118
CUSTOMER DRAWING			SCALE NTS	SHEET 1 OF 1	REV AS1	